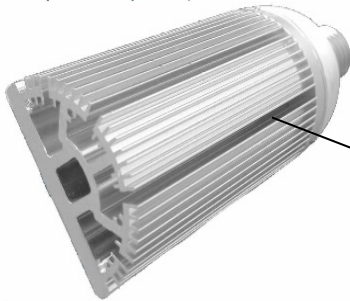


# HPS Retrofit LED High-Power Bulb



E-40 Base

Directional Lenses



Heat Management

**28  
WATTS!**

## Revolutionary Light

E-40 LED light bulb is designed for replacing regular HPS or MH bulbs in traditional streetlight fixtures. Before installation, the original rectifier or power supply used with the HPS, MH or Mercury bulb must be removed. This E-40 LED bulb can save from 50% to 80% of the energy consumed by Metal Halide lights. It may be suitable for replacing 70 to 100W HPS bulbs.

- \*High efficiency light device. Bright LED by **Bridgelux (USA)**.
- \*Long life, low maintenance when compared to traditional lights.
- \*Shell design and lenses assures thermal dissipation for longevity and effective lighting.
- \*LEDs are free of mercury, green energy for savings.

## Specification

Net Weight	1.15KG
Specifications	265×90×90 (mm)
Light Source Power	28 W
Light Efficiency	≥85 LM/W
Color temperature	4,500K-5,500K cool white
Input Voltage & Frequency	AC 95 V ~ 265 V 50 ~ 60 Hz
Output Current	320 ~ 330 mA
Driving Power Factor	>0.90
Driving Power Transformation Efficiency	>85%
Light Angle : Horizontal	Horizontal: 135 degree , Vertical: 77 degree
Luminous Decay	(within 1000 hrs) < 4.3%
Life Span	> 50,000 hrs
Light Spot Shape	Rectangle
Working Temperature Scope	-30 C ~ 50 C
Light Source Luminous Flux	>2100 LM
Radiation Range & Illuminance	20 ft : 65 x 26 ft > 13 Lux
	25 ft : 98 x 32 ft > 7.5 Lux



**CALL 877-570-8689**

## Illuminance at Different Heights

Height	Illuminance	Area covered
20 ft	13 lux	65 x 26 ft
25 ft	7.5 lux	98 x 32 ft
30 ft	4.5 lux	108 x 42 ft
40 ft	3 lux	130 x 52 ft

